

REPAIR PARTS MANUAL
MODEL NO. 20H107RB (BA20H107RBA)
Lawn Tractor

 McCULLOCH®

HOW TO USE THIS MANUAL

This manual is designed to provide the customer with a means to identify the parts on his/her tractor when ordering repair parts. The illustrations may or may not represent the actual assemblies; therefore, it is not recommended to use this manual as a guide to assemble or disassemble the tractor. Some hardware and parts are drawn larger in order to more readily identify them.

Each tractor has its own model number.

The model number for your tractor can be found on the fender under the seat.

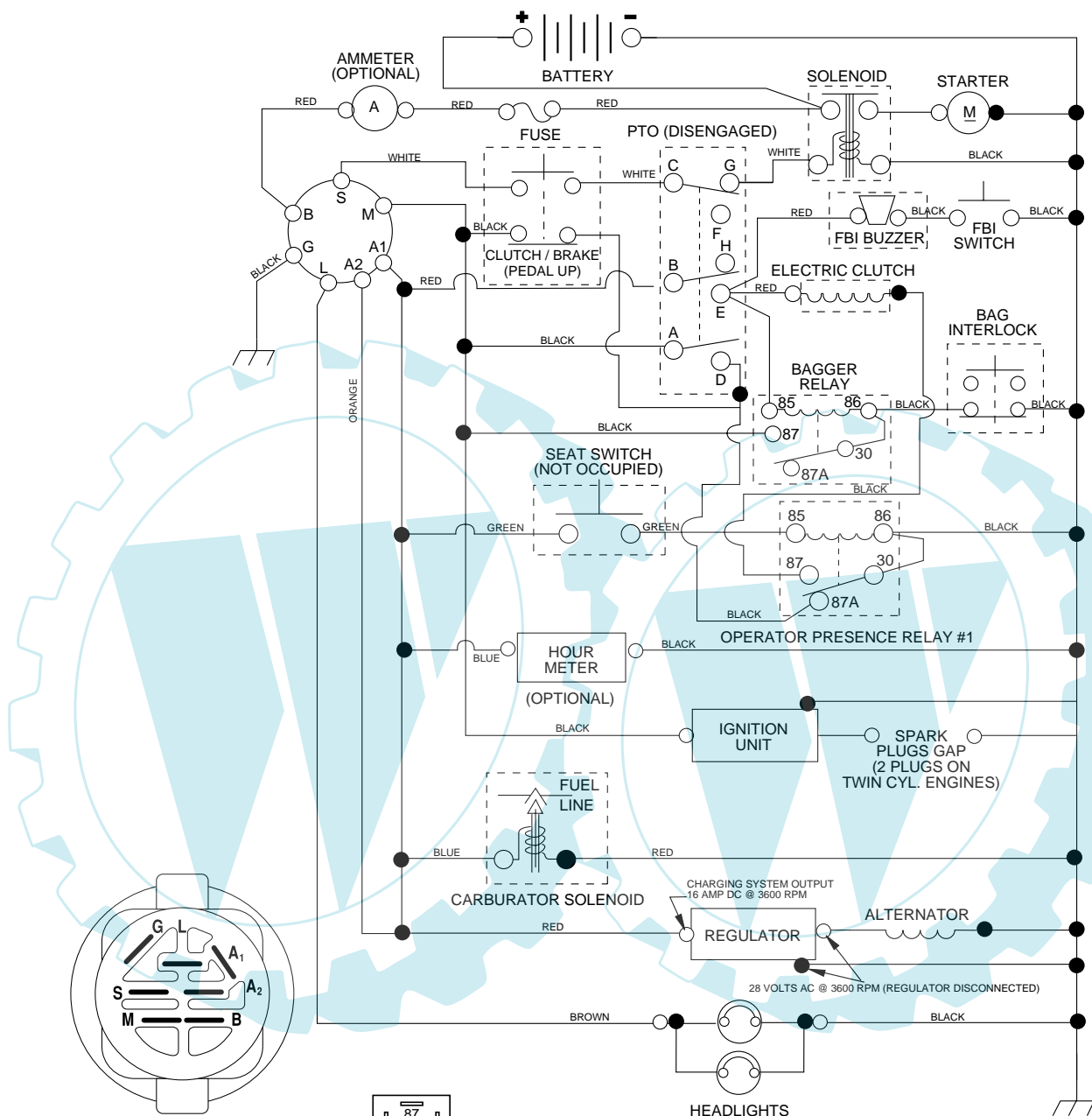
When ordering parts, always give the following information:

- Product - "Tractor"
- Model Number - 20H107RB (BA20H107RBA)
- Part Number
- Part Description

TABLE OF CONTENTS

SCHEMATIC	3
ELECTRICAL	4-5
CHASSIS	6-7
DRIVE	8-9
STEERING	10-11
SEAT	12
DECALS	13
ENGINE	14
MOWER LIFT	15
MOWER DECK	16-17
BAGGER	18-19

**TRACTOR- -MODEL NO. 20H107RB (BA20H107RBA), PRODUCT 964 77 98-00
SCHEMATIC**



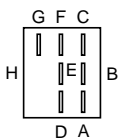
IGNITION SWITCH

POSITION	CIRCUIT	"MAKE"
OFF	M+G+A1	NONE
RUN/LIGHT	B+A1	A2+L
RUN	B+A1	NONE
START	B + S + A1	NONE

WIRING INSULATED CLIPS
NOTE: IF WIRING INSULATED CLIPS WERE REMOVED FOR SERVICING OF UNIT, THEY SHOULD BE REPLACED TO PROPERLY SECURE YOUR WIRING.



RELAY



PTO SWITCH

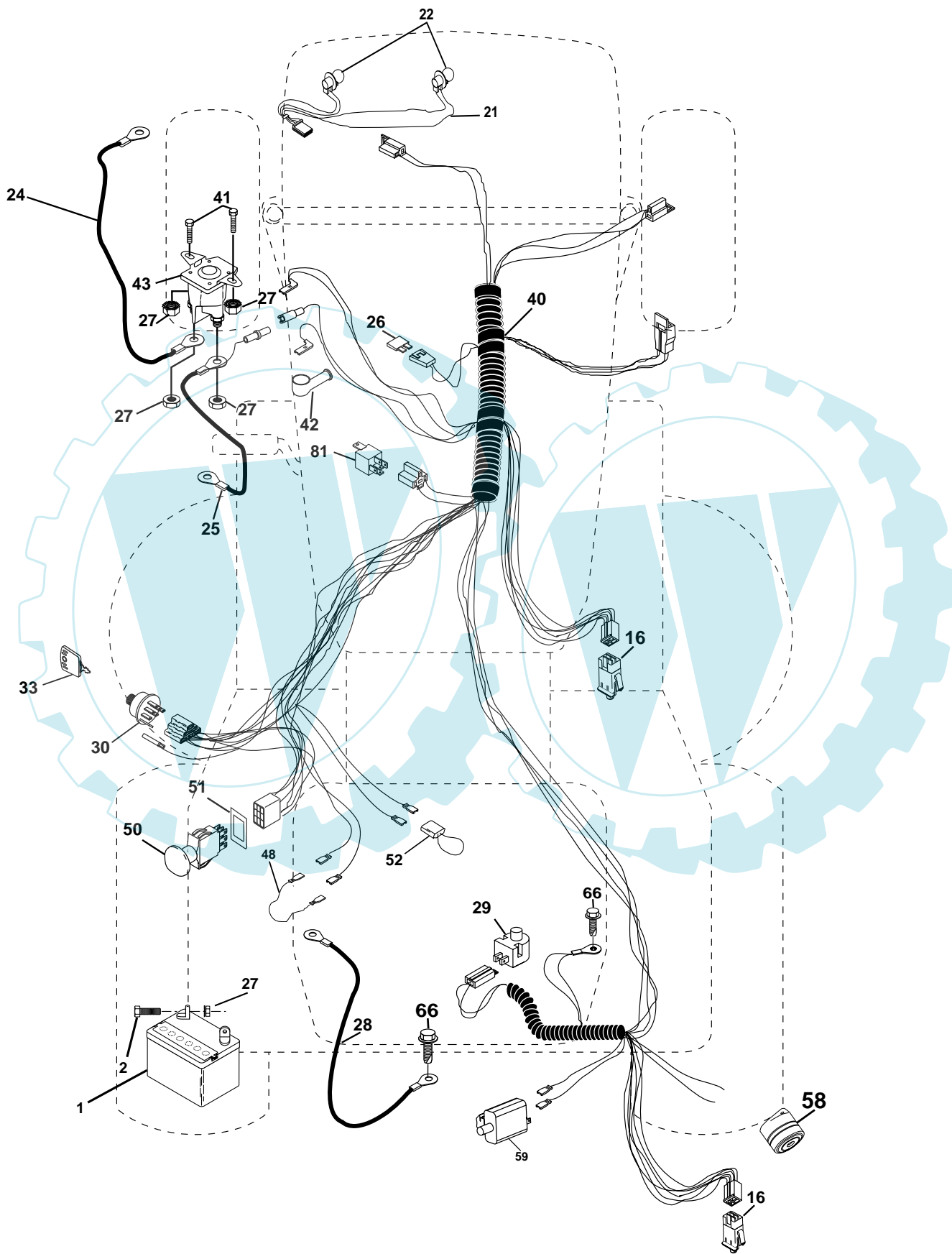
POSITION	CIRCUIT
OFF	C + G, B + H
ON	C + F, B + E, A + D

●
NON-REMOVABLE CONNECTIONS

○
REMOVABLE CONNECTIONS

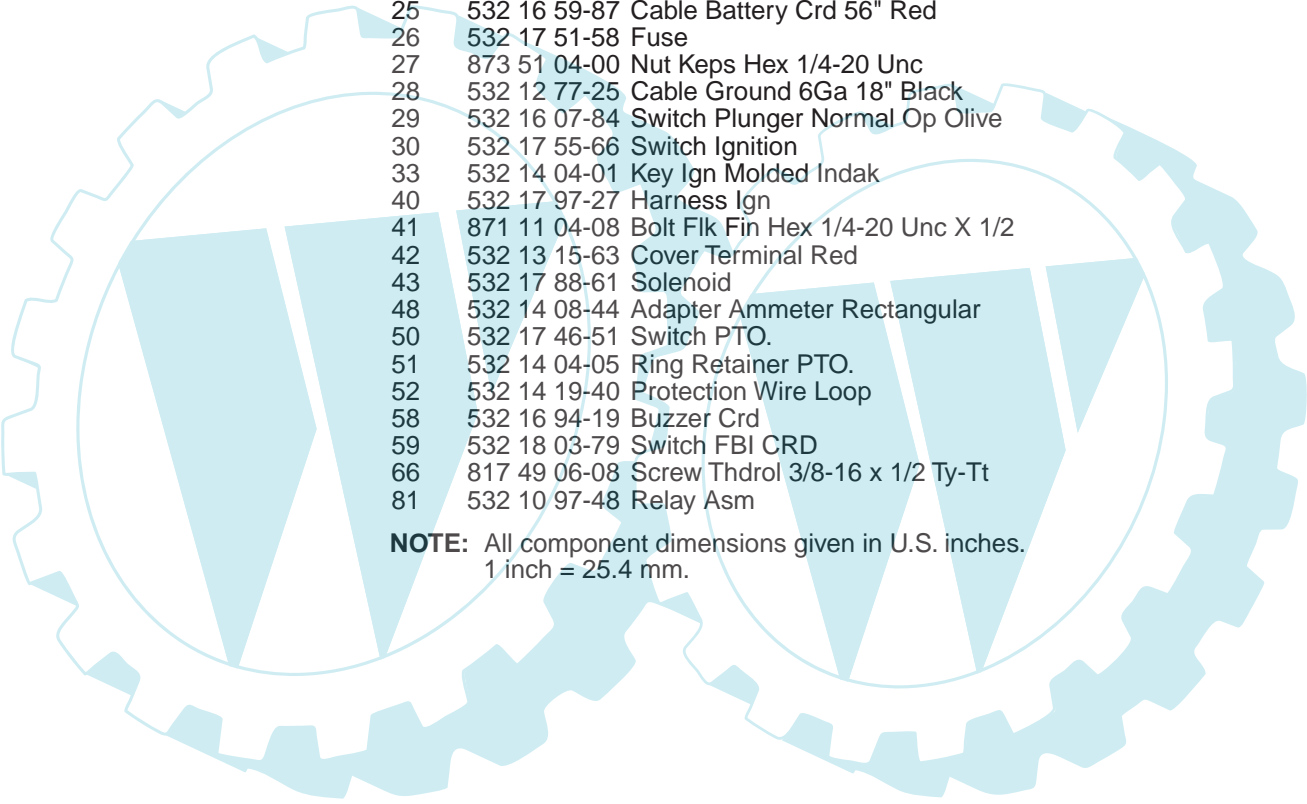
REPAIR PARTS

TRACTOR- -MODEL NO. 20H107RB (BA20H107RBA), PRODUCT 964 77 98-00
ELECTRICAL



REPAIR PARTS

TRACTOR- -MODEL NO. 20H107RB (BA20H107RBA), PRODUCT 964 77 98-00
ELECTRICAL

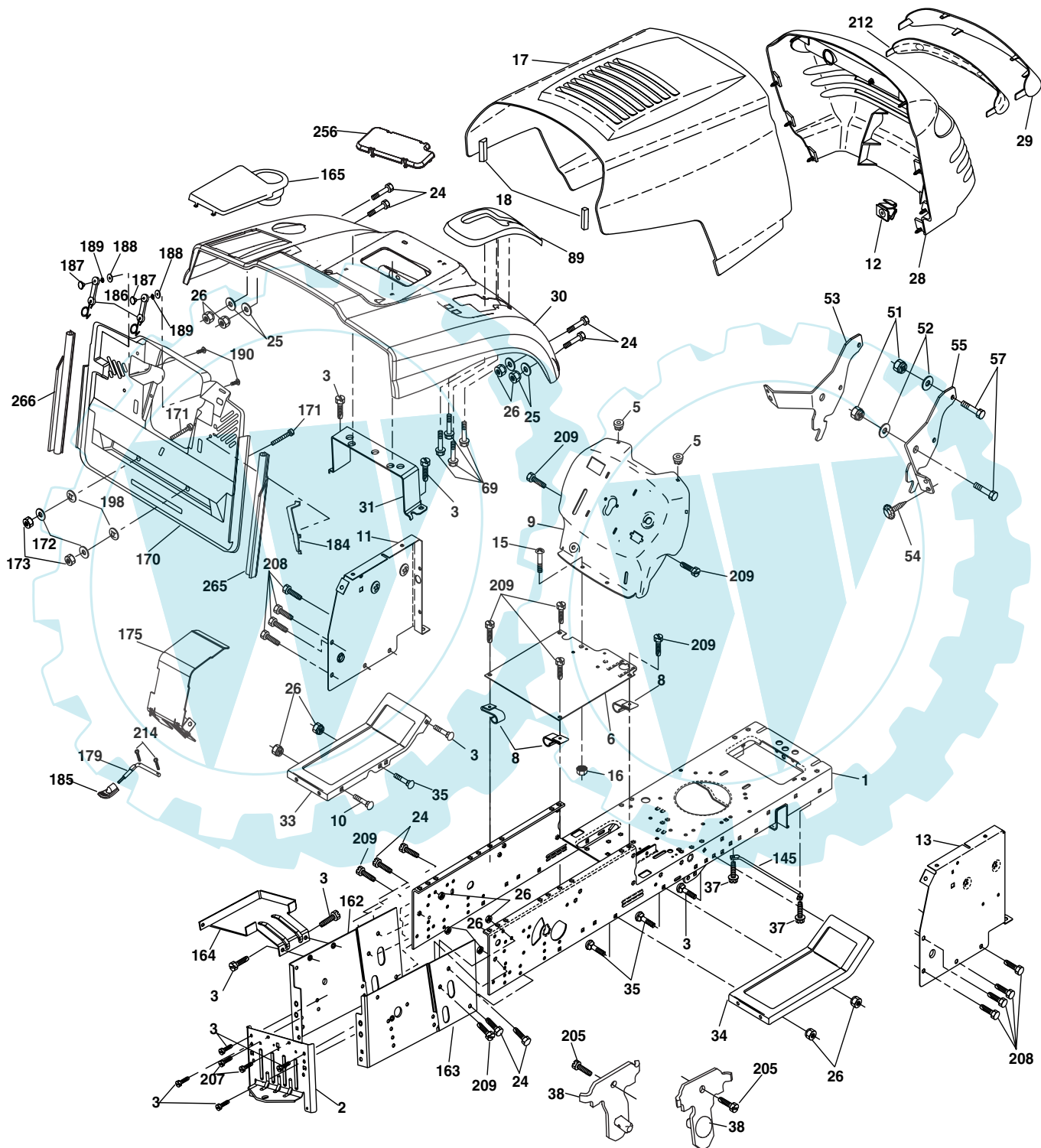


KEY NO.	PART NO.	DESCRIPTION
1	532 14 49-27	Battery
2	874 76 04-12	Bolt Hex Hd 1/4-20 Unc X 3/4
16	532 17 61-38	Switch Interlock
21	532 17 56-85	Harness Asm Light W/4152J
22	532 00 41-52	Bulb Light #1156
24	532 12 47-80	Cable Starter 6Ga 11" Red
25	532 16 59-87	Cable Battery Crd 56" Red
26	532 17 51-58	Fuse
27	873 51 04-00	Nut Keps Hex 1/4-20 Unc
28	532 12 77-25	Cable Ground 6Ga 18" Black
29	532 16 07-84	Switch Plunger Normal Op Olive
30	532 17 55-66	Switch Ignition
33	532 14 04-01	Key Ign Molded Indak
40	532 17 97-27	Harness Ign
41	871 11 04-08	Bolt Flk Fin Hex 1/4-20 Unc X 1/2
42	532 13 15-63	Cover Terminal Red
43	532 17 88-61	Solenoid
48	532 14 08-44	Adapter Ammeter Rectangular
50	532 17 46-51	Switch PTO.
51	532 14 04-05	Ring Retainer PTO.
52	532 14 19-40	Protection Wire Loop
58	532 16 94-19	Buzzer Crd
59	532 18 03-79	Switch FBI CRD
66	817 49 06-08	Screw Thdrol 3/8-16 x 1/2 Ty-Tt
81	532 10 97-48	Relay Asm

NOTE: All component dimensions given in U.S. inches.
1 inch = 25.4 mm.

REPAIR PARTS

TRACTOR- -MODEL NO. 20H107RB (BA20H107RBA), PRODUCT 964 77 98-00
CHASSIS AND ENCLOSURES



REPAIR PARTS

TRACTOR- -MODEL NO. 20H107RB (BA20H107RBA), PRODUCT 964 77 98-00 CHASSIS AND ENCLOSURES

KEY NO.	PART NO.	DESCRIPTION	KEY NO.	PART NO.	DESCRIPTION
1	532 17 46-20	Chassis	58	532 17 49-30	Duct Air Engine Pl/Lt
2	532 18 03-84	Drawbar	69	532 14 24-32	Screw Hex 1/4-1/2
3	817 06 06-12	Screw 3/8-16 x .75	89	532 18 13-60	Console
5	532 15 52-72	Bumper Hood/Dash	145	532 15 65-24	Rod Pivot Chassis/Hood
6	532 18 44-19	Saddle	162	532 18 03-82	Bracket Exten Chassis Lh CRD
8	532 12 64-71	Clip Insulator 13/32 Mtg. Hole	163	532 18 03-83	Bracket Exten Chassis Rh CRD
9	532 18 56-23	Dash	164	532 16 56-05	Support Battery CRD
10	872 14 06-08	Bolt, Carriage 3/8-16 x 3/4	165	532 18 13-56	Cover Battery CRD Lt
11	532 17 49-96	Panel, Dash, L.H.	170	532 17 88-62	Backplate Asm CRD
12	532 14 56-60	Clip Tinnerman Grille P/L	171	872 14 06-20	Bolt Rdhd Sqnk 3/8-16 x 2-1/2 G5
13	532 17 21-06	Panel, Asm. Dash R.H.	172	819 13 20-16	Washer 13/32 x 1-1/4 x 16 Ga.
15	874 18 05-12	Screw, Machine, Truss Head 5/16-18 UNC x 3/4	173	873 51 06-00	Nut, Keps Hex 3/8-16 UNC
16	873 51 05-00	Nut	175	532 18 03-10	Trap Door CRD
17	532 18 25-05	Hood Assembly	179	532 18 03-76	Rod Pivot FBI CRD
18	532 18 49-21	Bumper Hood	184	532 17 46-62	Bracket Actuator Bagger CRD
24	874 78 06-16	Bolt	185	532 18 11-01	Knob Rod
25	819 13 13-12	Washer 13/32 x 13/16 x 12 Gauge	186	532 16 07-93	Latch Asm Multch Bagger
26	873 80 06-00	Nut	187	532 12 50-04	Nut Weld .327/.304 #10-24
28	532 17 91-01	Grille Lens Asm	188	819 06 12-16	Washer #10
29	532 16 81-54	Lens	189	810 07 10-00	Washer Lock #10
30	532 18 25-06	Fender	190	871 08 10-10	Screw Pan Hd Phillips 10-24 x 5/8
31	532 16 51-56	Bracket, Fender Support	198	532 16 89-37	Nut Push
33	532 18 25-07	Footrest, L.H.	205	817 49 06-08	Screw 3/8-16 x 1/2
34	532 18 25-08	Footrest, R.H.	207	817 67 05-08	Screw Thdrol 5/16-18 x 1/2
35	872 11 06-06	Bolt	208	817 67 06-08	Screw Thdrol 3/8-16 x 1/2
37	817 49 05-08	Screw Thdrol 5/16-18 x 1/2 TYT	209	817 00 06-12	Screw Hex Wsh Thdrol 3/8-16 x 3/4
38	532 18 17-48	Bracket Asm Pivot Mower Rear	212	532 15 62-29	Insert Lens Reflective
51	873 80 04-00	Nut Lock w/Insert 1/4-20 UNC	214	532 12 47-88	Retainer Spring 1"
52	819 09 14-16	Washer 9/32 x 7/8 x 16 Ga.	256	532 18 13-61	Cover Fender Rack CRD
53	532 14 46-97	Bracket Grille Lh	265	532 18 57-04	Seal RH Side Bagger
54	532 16 14-64	Screw Hex Wshd 8-18 x 7/8	266	532 18 57-03	Seal LH Side Bagger
55	532 14 46-96	Bracket Grille Rh			
57	874 78 04-12	Bolt, Fin Hex 1/4-20 UNC x .75			

NOTE: All component dimensions given in U.S. inches.
1 inch = 25.4 mm.

REPAIR PARTS

TRACTOR- -MODEL NO. 20H107RB (BA20H107RBA), PRODUCT 964 77 98-00
DRIVE



REPAIR PARTS

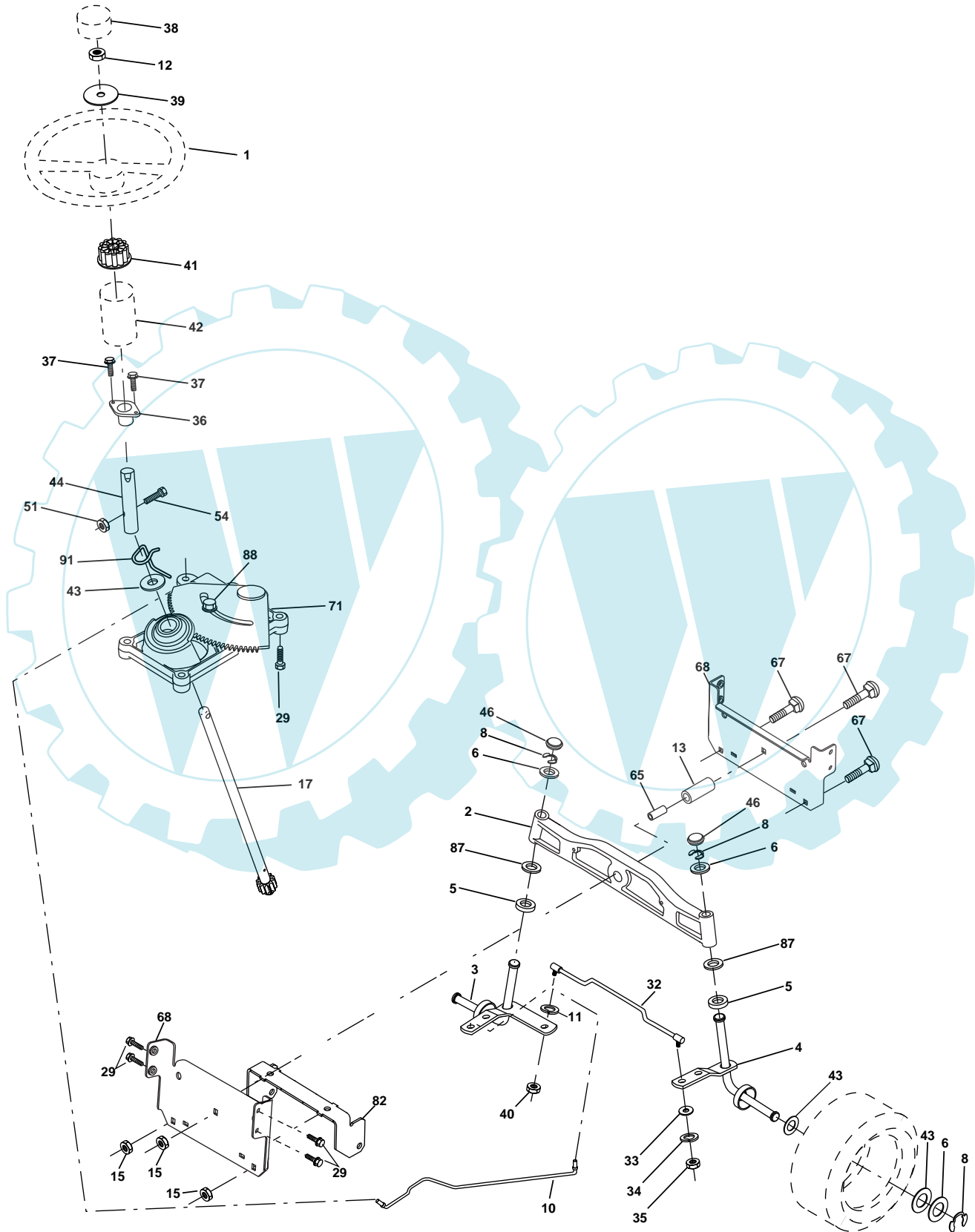
**TRACTOR- -MODEL NO. 20H107RB (BA20H107RBA), PRODUCT 964 77 98-00
DRIVE**

KEY NO.	PART NO.	DESCRIPTION	KEY NO.	PART NO.	DESCRIPTION
1	-----	Transaxle Hydro Gear 321-0510 (Order parts from transaxle manufacturer)	95	532 17 00-15	Control Asm Bypass Hydro
8	532 16 56-19	Rod, Shift Fender Adjust Lt	96	532 12 47-88	Spring, Retainer 1"
9	532 18 02-20	Clutch Elec.	116	872 14 06-08	Bolt RDHD Spnk 3/8-16 x 1
10	876 02 04-16	Pin, Cotter 1/8 x 1	120	873 90 06-00	Nut Lock Flg. 3/8-16 Unc
14	810 04 04-00	Washer, Lock Hvy Helical	145	874 49 05-44	Bolt Hex FGHD 5/16-18 x Gr 5
16	873 80 05-00	Nut, Lock Hex w/lns 5/16-18 UNC	150	532 16 58-50	Bushing, Bellcrank Grnd Dr
17	532 12 61-97	Washer 1-1/2 OD x 15/32 I.D. x .250	151	819 13 32-10	Washer 13/32 x 2 x 10 Ga.
20	871 17 07-64	Bolt Hex 7/16-20 x 4 x Gr. 5	156	532 16 60-02	Washer Srrted 5/16ID x 1.125
21	532 14 08-45	Knob	158	532 16 55-89	Bracket Shift Mount
22	532 17 56-07	Rod, Brake	159	532 16 54-94	Hub Tapered Flange Shift Lt
24	873 35 06-00	Nut	160	819 29 20-16	Washer 29/32 x 1-1/4 x 16 Ga.
25	532 10 68-88	Spring, Rod, Brake	161	872 14 04-06	Bolt Rdhd Sqnk 1/4-20 x 3/4 Gr 5
26	819 13 13-16	Washer 13/32 x 13/16 x 16 Ga.	162	873 68 04-00	Nut Crownlock 1/4-20 Unc
27	876 02 04-12	Pin, Cotter 1/8 x 3/4	163	874 78 04-16	Bolt Hex Fin 1/4-20 Unc x 1 Gr 5
28	532 17 57-65	Rod, Parking Brake	164	819 09 10-10	Washer 5/8 x .281 x 10 Ga.
29	532 07 16-73	Cap, Parking Brake	165	532 16 56-23	Bracket Pivot Lever
30	532 16 95-92	Bracket, Mfg. Transaxle	166	532 16 68-80	Screw 5/16-18 x 5/8
34	532 17 55-78	Shaft, Asm Pedal Foot CRD	167	532 16 55-88	Bracket Support Shift CRD
35	532 12 01-83	Bearing, Nylon	168	532 16 54-92	Bolt Shoulder 5/16-18 x .561
36	819 21 16-16	Washer 21/32 x 1 x 16 Ga.	169	532 16 55-80	Plate Fastening Lt
37	532 12 49-63	Pin, Roll 3/16 x 1"	171	817 49 06-08	Screw Thdrol 3/8-16 x 1/2 Ty-Tt
38	532 16 59-36	Pulley Flat Composite 3.06"	172	532 17 02-71	Shaft Asm Shifter Frt CRD
39	874 76 06-44	Bolt Fin Hex 3/8-16 Unc x 2-3/4	177	532 16 59-32	Keeper Flat Idler 3.06" CRD
40	532 12 49-65	Spacer, Split 395 x 59 Bzp	178	532 16 59-33	Keeper Belt Idler 1.88" CRD
42	819 13 13-12	Washer 13/32 x 13/16 x 12 Ga.	179	532 12 09-58	Washer Sintered
43	819 11 10-12	Washer 11/32 x 5/8 x 12 Ga	180	532 16 56-30	Pulley, Idler, Flat 1.88"CRD
47	532 12 77-83	Pulley, Idler, V Groove Plasic	181	532 18 02-11	Bracket Idler Ground Drive CRD
48	532 15 44-07	Bellcrank Clutch Grnd Drv	182	532 18 26-82	Keeper Belt 2.5" V-Idler CRD STL
49	532 12 32-05	Retainer, Belt Style Spring	183	532 17 90-50	Pulley V-Idler 2.50" Od CRD
50	872 11 06-12	Bolt Carr SH 3/8-16 x 1-1/2 Gr. 5	184	817 49 06-44	Screw Hexwsh Thdrol 3/8-16 x 2-3/4
51	873 68 06-00	Nut, Crownlock 3/8-16 UNC	185	532 17 00-08	Link Shift
52	873 6805-00	Nut Crownlock 5/16-18	186	532 16 56-14	Hub Tapered Round CRD
53	532 10 57-10	Link, Clutch 7.66	187	817 58 05-20	Screw Thdrol 5/16-18 x 1.25
55	532 10 57-09	Spring, Return, Clutch	197	532 16 96-13	Nyliner Snap-In 5/8
56	817 06 06-20	Screw 3/8-16 x 1-1/4	199	532 16 96-12	Bolt Shoulder 5/16-18 Unc
57	532 17 01-40	V-Belt Kev 112" 0650 CRD	200	872 14 05-08	Bolt RDHD SQNK 5/16-18 x 1
62	532 12 48-72	Cover, Pedal	202	872 11 06-14	Bolt RDHD 3/8-16 x 1-3/4 Gr. 5
63	532 18 03-97	Pulley Engine	207	532 16 98-45	Washer Nylon Rear
65	810 04 07-00	Washer	212	532 14 52-12	Nut Hex Flange Lock
66	532 15 47-78	Keeper, Belt Engine F-Proof	214	532 17 56-09	Shaft Asm. Brake
71	532 16 91-83	Strap, Torque, Lh	215	532 17 56-52	Rod Brake Hydro
73	532 16 91-82	Strap, Torque, Rh	243	532 17 82-89	Bracket Anti-Rotate
74	532 13 70-57	Spacer, Split	250	817 06 06-12	Screw 3/8-16 x .75
75	532 12 17-49	Washer 25/32 x 1-1/4 x 16 Ga.	255	532 17 56-08	Brace Shaft Brake Mtg.
76	812 00 00-01	Ring, E	258	532 17 80-62	Clip Retainer
77	532 12 35-83	Key, Square	259	532 18 02-12	Bracket Pulley
78	532 12 17-48	Washer 25/32 x 1-5/8 x 16 Ga.	260	532 18 17-81	Bracket Idler Chassis
81	532 17 00-06	Asm, Shaft	261	532 13 14-94	Pulley Idler Flat
82	532 16 57-11	Spring, Torsion	263	817 00 06-12	Screw Hex Wsh Thdr 3/8-16 x 3/4
83	819 17 12-16	Washer 17/32 x 3/4 x 16 Ga.			
84	532 17 00-07	Link, Transaxle			

NOTE: All component dimensions given in U.S. inches
1 inch = 25.4 mm

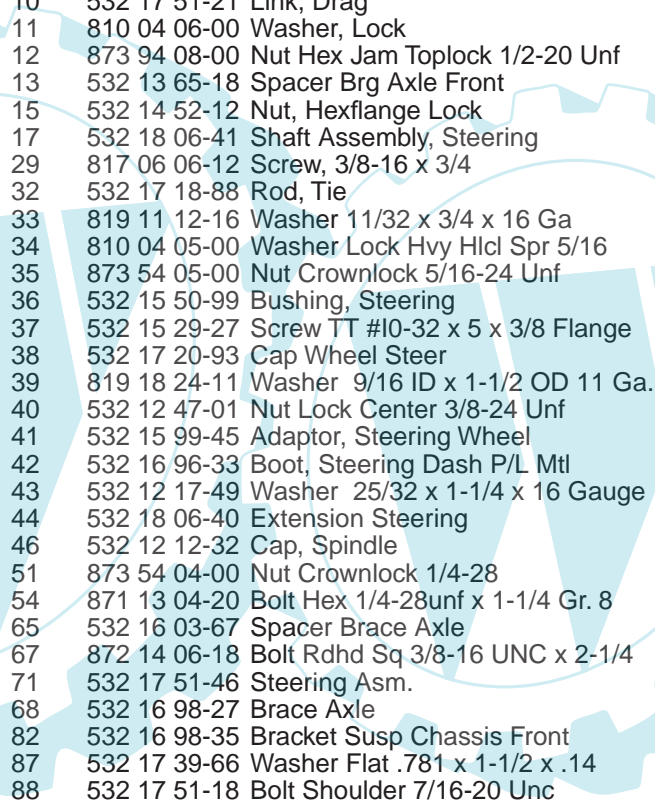
REPAIR PARTS

TRACTOR- -MODEL NO. 20H107RB (BA20H107RBA), PRODUCT 964 77 98-00
STEERING ASSEMBLY



REPAIR PARTS

TRACTOR- -MODEL NO. 20H107RB (BA20H107RBA), PRODUCT 964 77 98-00
STEERING ASSEMBLY

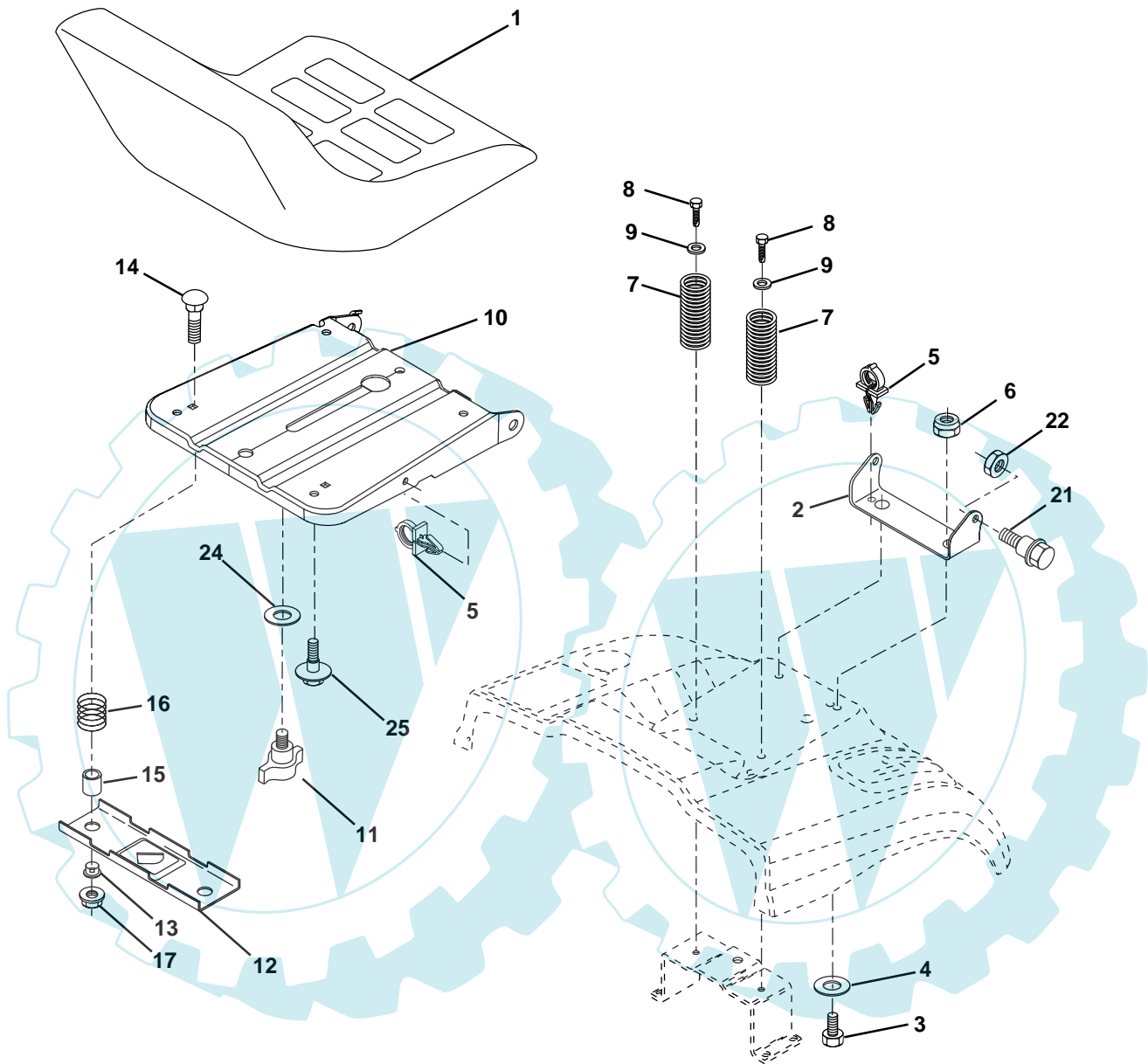


KEY NO.	PART NO.	DESCRIPTION
1	532 17 20-92	Steering Wheel
2	532 17 23-93	Cast Iron Axle Assembly
3	532 16 98-40	Spindle Assembly, L.H.
4	532 16 98-39	Spindle Assembly, R.H.
5	532 12 49-31	Bearing, Race, Thrust, Hardened
6	532 12 17-48	Washer 25/32 x 1-5/8 x 16 Gauge
8	812 00 00-29	Ring, Klip
10	532 17 51-21	Link, Drag
11	810 04 06-00	Washer, Lock
12	873 94 08-00	Nut Hex Jam Toplock 1/2-20 Unf
13	532 13 65-18	Spacer Brg Axle Front
15	532 14 52-12	Nut, Hexflange Lock
17	532 18 06-41	Shaft Assembly, Steering
29	817 06 06-12	Screw, 3/8-16 x 3/4
32	532 17 18-88	Rod, Tie
33	819 11 12-16	Washer 11/32 x 3/4 x 16 Ga
34	810 04 05-00	Washer Lock Hvy Hlcl Spr 5/16
35	873 54 05-00	Nut Crownlock 5/16-24 Unf
36	532 15 50-99	Bushing, Steering
37	532 15 29-27	Screw TT #10-32 x 5 x 3/8 Flange
38	532 17 20-93	Cap Wheel Steer
39	819 18 24-11	Washer 9/16 ID x 1-1/2 OD 11 Ga.
40	532 12 47-01	Nut Lock Center 3/8-24 Unf
41	532 15 99-45	Adaptor, Steering Wheel
42	532 16 96-33	Boot, Steering Dash P/L Mtl
43	532 12 17-49	Washer 25/32 x 1-1/4 x 16 Gauge
44	532 18 06-40	Extension Steering
46	532 12 12-32	Cap, Spindle
51	873 54 04-00	Nut Crownlock 1/4-28
54	871 13 04-20	Bolt Hex 1/4-28unf x 1-1/4 Gr. 8
65	532 16 03-67	Spacer Brace Axle
67	872 14 06-18	Bolt Rdhd Sq 3/8-16 UNC x 2-1/4
71	532 17 51-46	Steering Asm.
68	532 16 98-27	Brace Axle
82	532 16 98-35	Bracket Susp Chassis Front
87	532 17 39-66	Washer Flat .781 x 1-1/2 x .14
88	532 17 51-18	Bolt Shoulder 7/16-20 Unc
91	532 17 55-53	Clip Steering

NOTE: All component dimensions given in U.S. inches.
1 inch = 25.4 mm.

REPAIR PARTS

TRACTOR- -MODEL NO. 20H107RB (BA20H107RBA), PRODUCT 964 77 98-00
SEAT ASSEMBLY



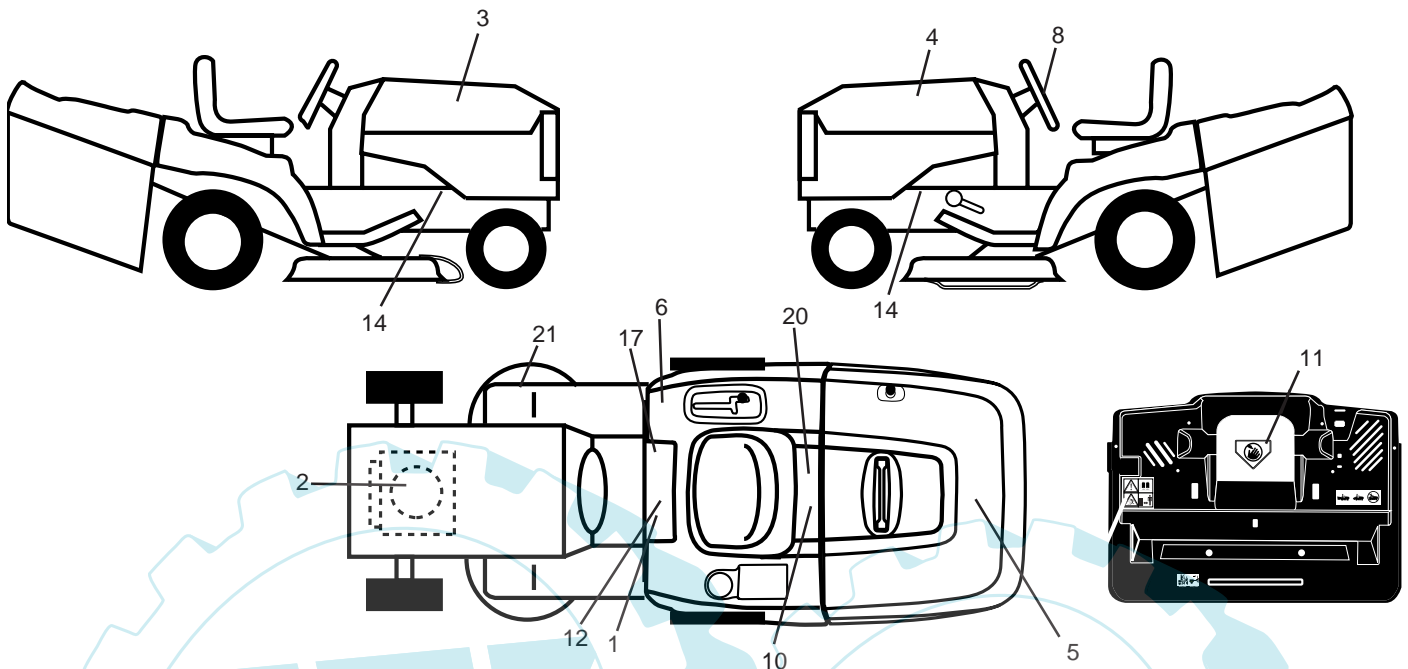
KEY NO.	PART NO.	DESCRIPTION
1	532 14 01-17	Seat
2	532 14 05-51	Bracket Pnt Pivot Seat (blk)
3	871 11 06-16	Bolt Fin Hex 3/8-16 Unc x 1
4	819 13 16-10	Washer Flat 13/32 x 1 x 10 Ga.
5	532 14 50-06	Clip Push In Hinged
6	873 80 06-00	Nut Lock Hex 3/8-16 Unc
7	532 12 41-81	Spring Seat Cprsn 2 250 Blk Zi
8	817 00 06-16	Screw 3/8-16 X 1-1/2
9	819 13 16-14	Washer 13/32 X 1 X 14 Ga
10	532 18 24-93	Pan Pnt Seat (blk)
11	532 16 63-69	Knob Seat Adj Wingnut
12	532 12 12-46	Bracket Pnt Mounting Switch

KEY NO.	PART NO.	DESCRIPTION
13	532 12 12-48	Bushing Snap Blk Nyl 50 Id
14	872 05 04-12	Bolt Rdhd Sht Nk 1/4-20x1-1/2
15	532 13 43-00	Spacer Split
16	532 12 12-50	Spring Cprsn
17	532 12 39-76	Nut Lock 1/4 Lge Flg Gr 5 Zinc
21	532 17 18-52	Bolt Shoulder 5/16-18 Unc-2A
22	873 80 05-00	Nut Hex Lock w/Ins 5/16-18
24	819 17 19-12	Washer 17/32 X 1-3/16 X 12 Ga.
25	532 12 70-18	Bolt Shoulder 5/16-18 X 62

NOTE: All component dimensions given in U.S. inches.
1 inch = 25.4 mm

REPAIR PARTS

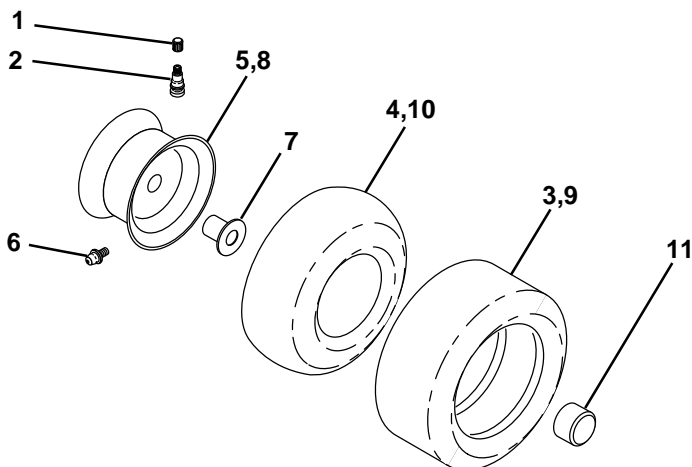
TRACTOR- -MODEL NO. 20H107RB (BA20H107RBA), PRODUCT 964 77 98-00
DECALS



KEY NO.	PART NO.	DESCRIPTION
1	532 14 54-98	Decal Read Owner's Manual Sym
2	532 18 07-10	Decal Hp Engine
3	532 18 58-78	Decal Hood RH
4	532 18 58-79	Decal Hood LH
5	532 18 56-61	Decal Fender
6	532 18 04-32	Decal 100 DB/CE
8	532 18 57-33	Decal Strg. Whl.
10	532 14 50-05	Decal Bat Dan/Poi P/L Sym Wpn
11	532 18 21-66	Decal Mower Cut Finger Symbol
12	532 15 97-37	Decal Brake/Clutch Symbol Lt

KEY NO.	PART NO.	DESCRIPTION
14	532 15 97-36	Decal Chassis Hot Muffler
17	532 14 08-37	Decal Saddle Brake Parking
20	532 16 69-60	Decal Bypass Fender CRD
21	532 16 62-86	Decal Hex Belt Sch
—	532 13 83-11	Decal Lift Handle
—	532 18 10-90	Pad Footrest RH
—	532 18 01-91	Pad Footrest LH
—	532 18 26-21	Decal Bagger Frame
—	532 18 04-35	Decal Rear Plate CRD Symbols
—	532 18 52-03	Manual Operator's (Scan)
—	532 18 51-69	Manual Operator's (Euro)
—	532 18 51-70	Manual Operator's (E-Bloc)
—	532 18 51-71	Manual Parts

WHEELS & TIRES

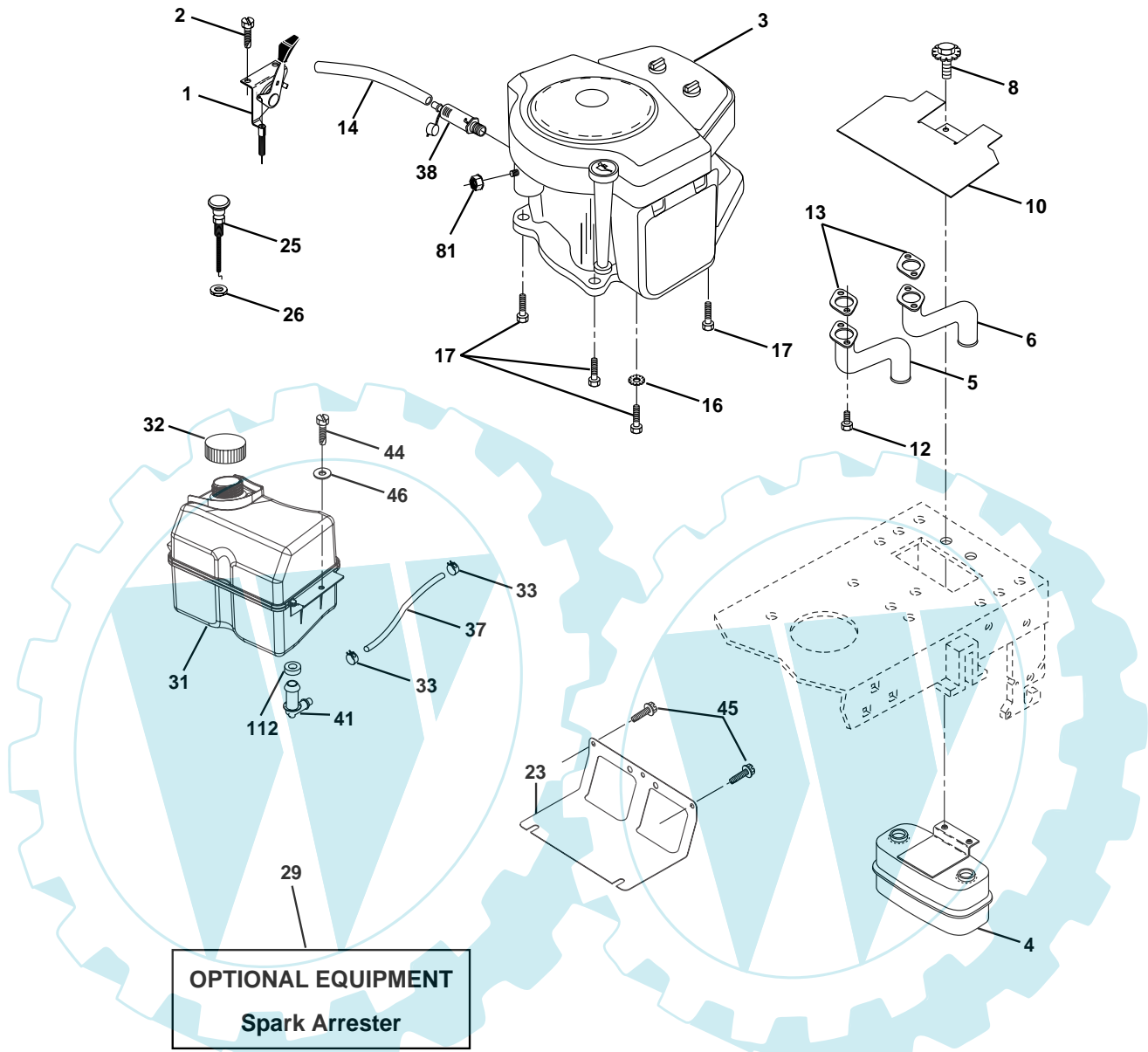


KEY NO.	PART NO.	DESCRIPTION
1	532 05 91-92	Cap Value Tire
2	532 06 51-39	Stem Value
3	532 10 62-22	Tire F Ts 15 X 6 0 - 6 Service
4	532 05 99-04	Tube Inner Front #35060
5	532 18 33-37	Rim Asm 6" Front Service
6	532 12 49-57	Fitting Grease
7	532 12 49-59	Bearing Flange
8	532 18 33-38	Rim Asm 8" Rear Service
9	532 13 84-68	Tire R Ts 20 x 8-8 Service
10	532 12 49-26	Tube Rear 9 5 X 8 Service
11	532 17 50-39	Cap Axle Blk 1 50 X 1 00
--	144334	Sealant, Tire (10 oz. tube)

NOTE: All component dimensions given in U.S. inches
1 inch = 25.4 mm

REPAIR PARTS

TRACTOR- -MODEL NO. 20H107RB (BA20H107RBA), PRODUCT 964 77 98-00
ENGINE



OPTIONAL EQUIPMENT
Spark Arrester

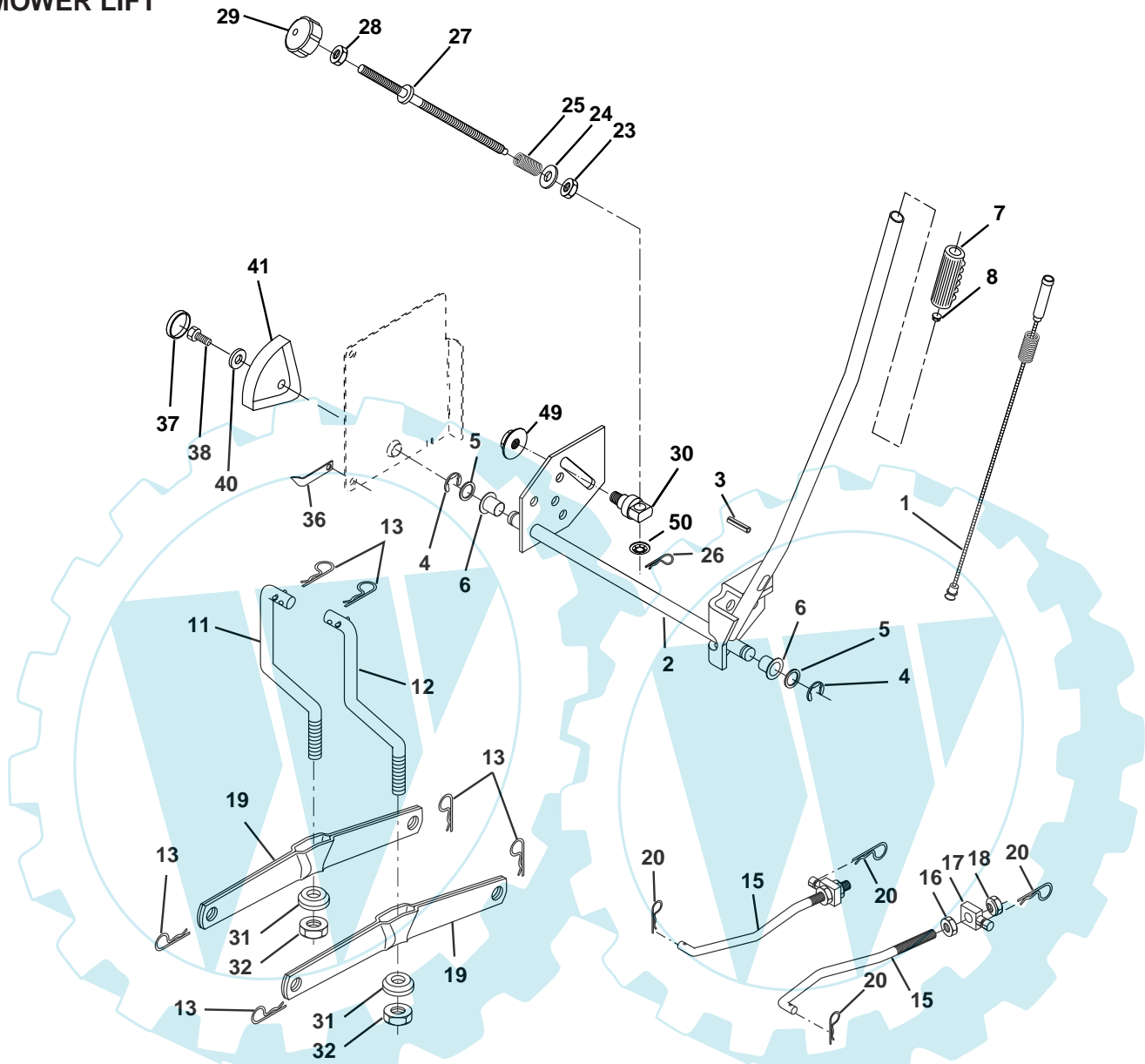
KEY NO.	PART NO.	DESCRIPTION
1	532 17 07-71	Control Throt Flag
2	817 72 04-08	Screw Hex Thd Cut 1/4-20x1/2
3	-----	Engine B&S Model 407677 (Order Parts from Engine Manufacturer)
4	532 14 97-23	Muffler Exhaust
5	532 15 99-55	Exhaust Asm. Left
6	532 16 05-89	Exhaust Asm. Right
8	532 17 18-77	Bolt 5/16-18 Unc x 3/4 w/Sems
10	532 16 27-97	Heat Shield Lt
12	532 18 39-06	Screw Socket Head 5/16-18 x 1
13	532 16 53-91	Gasket Muffler
14	532 14 84-56	Tube Drain Oil Easy
16	811 05 06-00	Washer Lock Ext Tooth 3/8
17	817 06 06-24	Screw 3/8-16 x 1-1/2
23	532 16 98-37	Shield BRN/DBR Guard

KEY NO.	PART NO.	DESCRIPTION
25	532 14 59-96	Control Choke
26	873 92 06-00	Nut Keps 3/8-24 Unf
29	532 13 71-80	Arrestor Spark
31	532 18 55-34	Tank Fuel Front 2.00 Gal.
32	532 14 05-27	Cap Fuel Asm Top Vent
33	532 12 34-87	Clamp Hose Blk
37	532 13 70-40	Line Fuel
38	532 18 16-54	Plug Drain Oil Easy
41	532 13 92-77	Stem Tank Fuel
44	817 67 04-12	Screw Hexwsh Thdrol 1/4-20 x 3/4
45	817 00 06-12	Screw 3/8-16 x 3/4
46	819 09 14-16	Washer 3/32 X 7/8 X 16ga
81	873 51 04-00	Nut Keps 1/4-20 UNC
112	532 12 49-52	Bushing

NOTE: All component dimensions given in U.S. inches
1 inch = 25.4 mm

REPAIR PARTS

TRACTOR- -MODEL NO. 20H107RB (BA20H107RBA), PRODUCT 964 77 98-00
MOWER LIFT



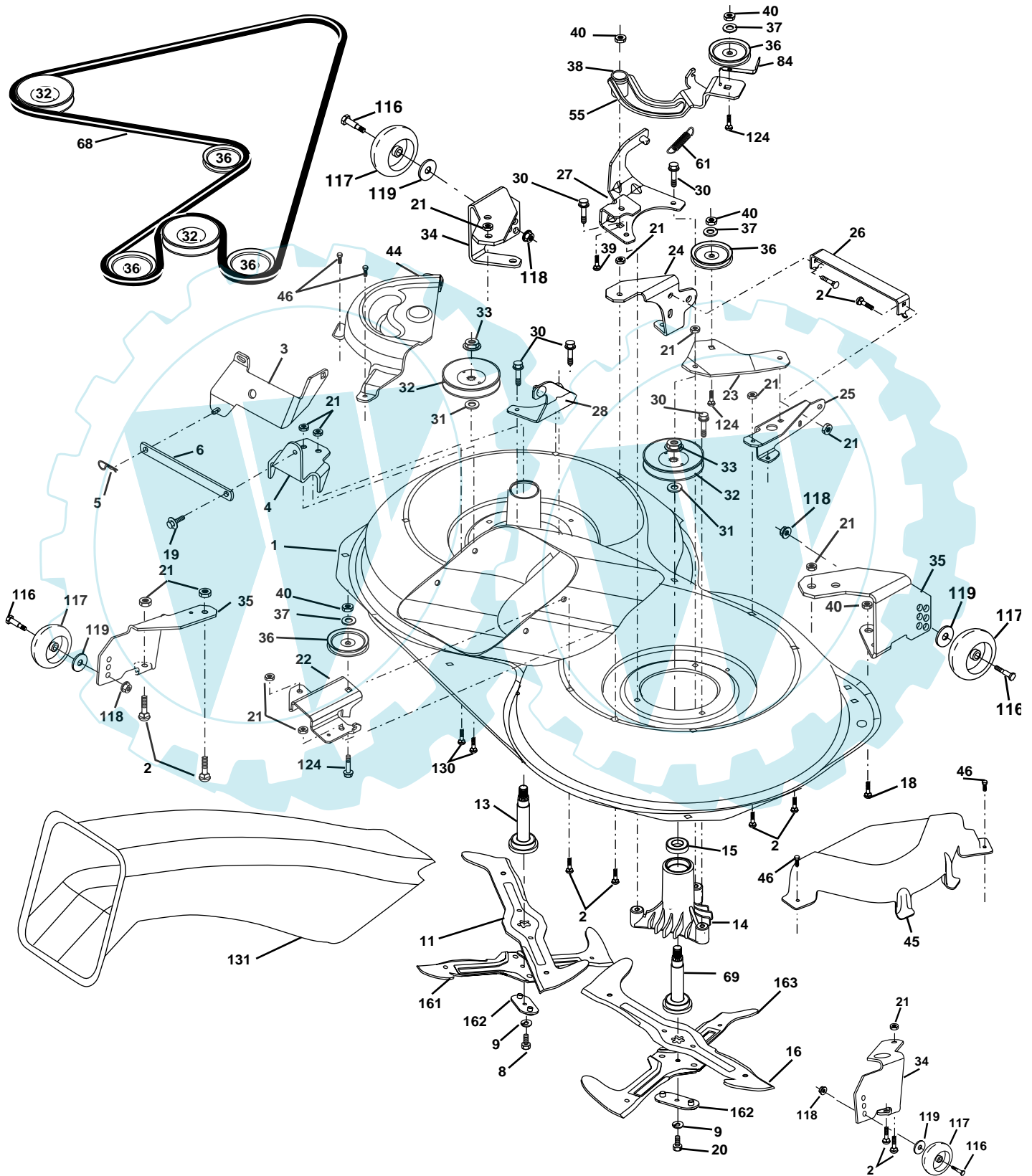
KEY NO.	PART NO.	DESCRIPTION
1	532 15 94-60	Washer Asm Inner Spring W/Plunger
2	532 15 94-71	Shaft Asm. Lift
3	532 10 57-67	Pin Groove
4	812 00 00-02	E Ring #5133-62
5	819 21 16-21	Washer 21/32 x 1 x 21 Ga.
6	532 12 01-83	Bearing Nylon
7	532 12 56-31	Grip Handle Fluted
8	532 12 45-26	Button Plunger Black
11	532 16 58-29	Link Asm Lift L.H.
12	532 16 58-31	Link Asm Lift R.H.
13	532 12 46-70	Retainer Spring
15	532 17 32-88	Link Front
16	873 35 08-00	Nut Jam Hex 1/2-13 Unc
17	532 17 56-89	Trunnion Blk Zinc
18	873 80 08-00	Nut Lock w/wsh 1/2-13 Unc
19	532 13 98-68	Arm Suspension Mower
20	532 16 35-52	Retainer Spring
23	532 11 08-07	Nut Special

KEY NO.	PART NO.	DESCRIPTION
24	819 13 10-16	Washer 13/32 x 5/8 x 16 Ga.
25	532 12 48-74	Spring 2-1/8"
26	532 16 94-84	Retainer Clip
27	532 12 69-71	Rod Adj Lift Zinc 7.49 Wrk Lg
28	873 35 06-00	Nut Hex Jam 3/8-16 Unc
29	532 13 80-57	Knob Inf 3/8-16 Unc Blk w/sym
30	532 15 02-33	Trunnion Infin Height
31	532 16 98-65	Bearing, Pvt. Lift.
32	873 54 06-00	Nut Crownlock 3/8-24
36	532 15 50-97	Pointer Height Indicator
37	532 12 39-35	Plug Hole Blk 1.485/1.515 Dia
38	817 06 05-16	Screw 5/16-18 x 1
40	819 11 24-10	Washer 11/32 x 1-1/2 x 10 Ga.
41	532 12 39-34	Scale Ind Height Blk
49	532 14 52-12	Nut hex Flange Lock
50	532 11 04-52	Nut Push Phos & Oil

NOTE: All component dimensions given in U.S. inches
1 inch = 25.4 mm

REPAIR PARTS

TRACTOR- -MODEL NO. 20H107RB (BA20H107RBA), PRODUCT 964 77 98-00
MOWER



REPAIR PARTS

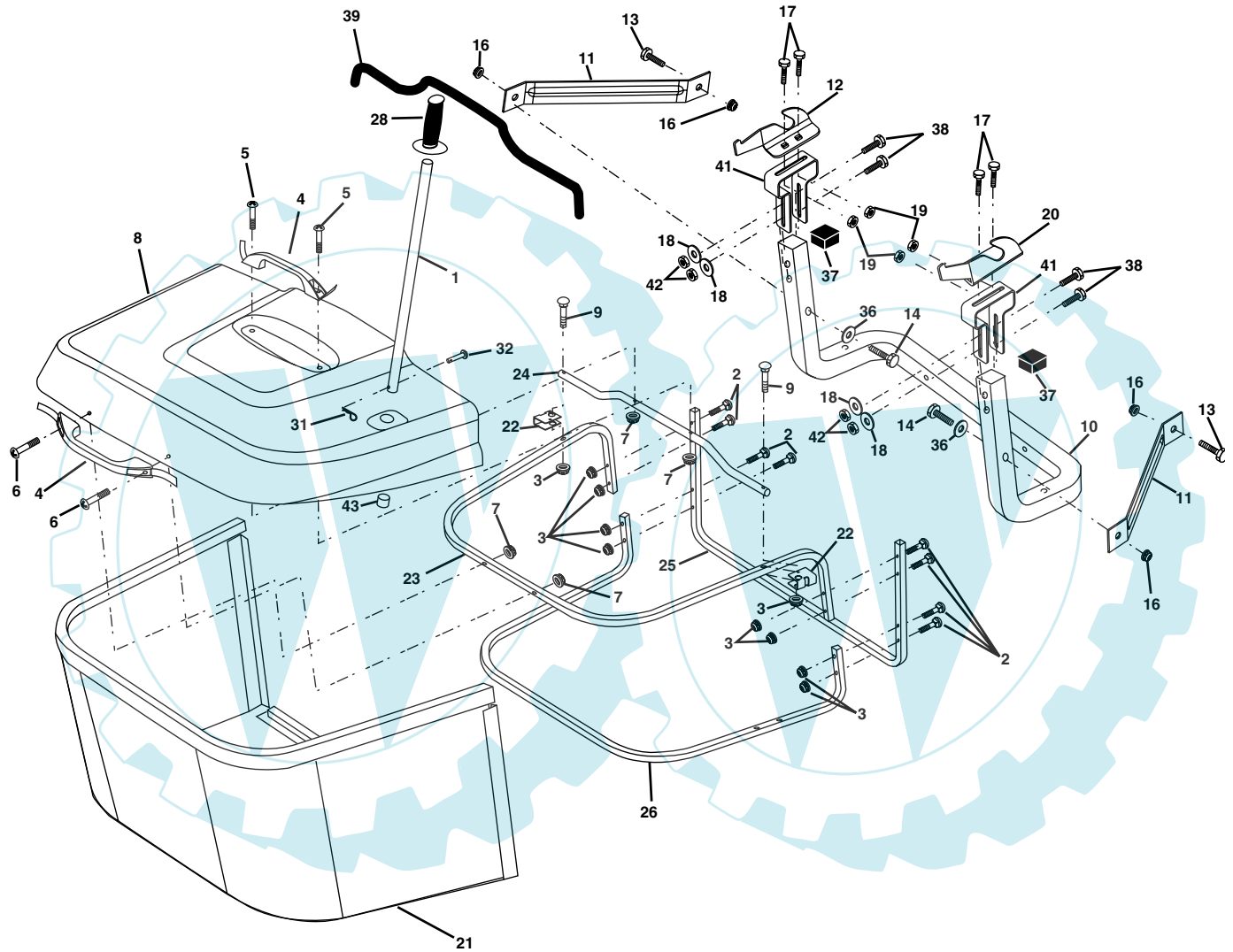
TRACTOR- -MODEL NO. 20H107RB (BA20H107RBA), PRODUCT 964 77 98-00
MOWER

KEY NO.	PART NO.	DESCRIPTION	KEY NO.	PART NO.	DESCRIPTION
1	532 16 91-60	Housing Asm. Mower	35	532 17 62-92	Bracket Gauge Wheel Rf
2	872 14 05-06	Bolt Rdhd Sqnk 5/16-18 Unc x 3/4	36	532 14 67-63	Pulley Idler V-Groove Dim 4.25
3	532 16 55-69	Bracket Asm. S-Bar Chass	37	819 13 13-16	Washer 11/32 x 13/16 x 16 Ga
4	532 16 91-67	Bracket Bar Sway Deck	38	532 16 98-51	Spacer Hub Arm Idler 107 CRD
5	532 12 46-70	Retainer Spring	39	872 11 06-22	Bolt Rdhd 3/8-16 Unc x 2-3/4 Gr. 5
6	532 16 55-57	Bar Sway	40	873 68 06-00	Nut Crownlock 3/8-16 Unc
8	532 18 17-12	Bolt 3/8-24 x 1.25 Gr8 Patched	44	532 17 55-38	Cover Mandrel Lh
9	810 03 06-00	Washer Lock Hvy 3/8 Unplated	45	532 17 55-39	Cover Mandrel Rh
11	532 18 05-83	Blade 3-1 Lh	46	532 13 77-29	Screw Thd Roll 1/4-20 x 5/8
13	532 13 76-45	Shaft Asm. W/Lower Bearing	55	532 16 98-49	Arm Idler 107 CRD
14	532 12 87-74	Housing Mandrel Vented (Machd)	61	532 17 51-59	Spring Tension Belt
15	532 11 04-85	Bearing Ball Mandrel	68	532 16 91-78	Hex-Belt Mower
16	532 18 05-84	Blade 3-1 Rh	69	532 16 54-82	Shaft Asm W/Lwr Brg Rh Thd CRD
18	872 11 06-08	Bolt Rdhd Sqnk 3/8-16 x 1 Gr. 5	84	532 15 60-85	Keeper Belt Idler
19	532 13 28-27	Bolt Shoulder 5/16-18 Thd Form	116	532 18 42-19	Bolt Shoulder
20	532 18 17-13	Bolt 3/8-24 x 1.25 Gr8 Ptch Lhthd	117	532 13 39-57	Wheel Gage Donut Wide
21	873 68 05-00	Nut Crown Lock 5/16-18	118	873 93 06-00	Nut Centerlock 3/8-16 Unc
22	532 16 91-65	Bracket Idler RR	119	819 12 14-14	Washer 3/8 x 7/8 x 14 Ga.
23	532 16 91-66	Bracket Idler RF	124	872 11 06-12	Bolt Carr Sh 3/8-16 x 1-1/2 Gr5
24	532 16 91-70	Bracket Suspension LF	130	872 11 05-06	Bolt Rdhdsqnk 5/16-18 Unc x 3/4
25	532 16 91-71	Bracket Suspension RF	131	532 16 56-61	Chute Bagger CRD 92cm
26	532 16 52-37	Brace Support Susp Frt CRD	161	532 18 04-24	Blade Cross Lh 107
27	532 16 91-72	Bracket Asm. Susp RR	162	532 18 08-78	Adapter Wldmt Blo 107
28	532 16 91-68	Bracket Asm. Susp LR	163	532 18 04-25	Blade Cross Rh 107
30	532 17 39-84	Screw Thd Rolling	--	532 18 18-57	Mandrel Asm Service
31	532 12 99-63	Washer Spacer Mower Vented	--	532 18 18-58	Mandrel Asm CRD Lh Threads SVC
32	532 17 57-07	Mandrel Pulleys	--	532 18 17-70	Deck Mower Complete
33	532 17 83-42	Nut Flg Top Lock			
34	532 17 95-09	Bracket Gauge Wheel Lf			

NOTE: All component dimensions given in U.S. inches
1 inch = 25.4 mm

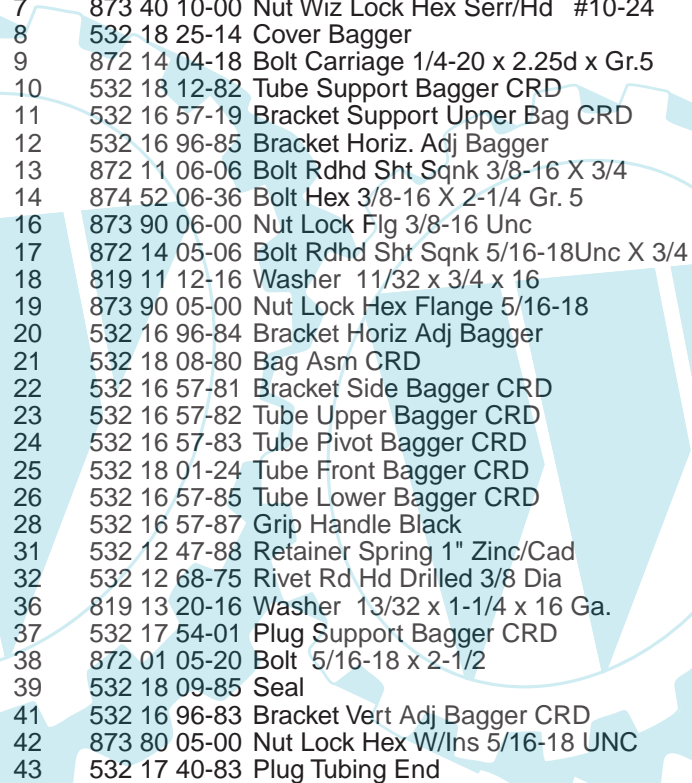
REPAIR PARTS

TRACTOR- -MODEL NO. 20H107RB (BA20H107RBA), PRODUCT 964 77 98-00
BAGGER



REPAIR PARTS

TRACTOR- -MODEL NO. 20H107RB (BA20H107RBA), PRODUCT 964 77 98-00
BAGGER



KEY NO.	PART NO.	DESCRIPTION
1	532 16 52-49	Tube Handle Bagger CRD
2	872 14 04-16	Bolt Carriage 1/4-20 X 2.0 Gr.5
3	532 12 39-76	Nut Lock 1/4 Lge Flg Gr. 5 Zinc
4	532 16 99-16	Handle Bagger w/Lvrs Gr. 5 Zinc
5	874 98 10-24	Screw Pan Head #10-24 X 1.50 Blk
6	874 98 10-32	Screw Pan Hd
7	873 40 10-00	Nut Wiz Lock Hex Serr/Hd #10-24
8	532 18 25-14	Cover Bagger
9	872 14 04-18	Bolt Carriage 1/4-20 x 2.25d x Gr.5
10	532 18 12-82	Tube Support Bagger CRD
11	532 16 57-19	Bracket Support Upper Bag CRD
12	532 16 96-85	Bracket Horiz. Adj Bagger
13	872 11 06-06	Bolt Rdhd Sht Sqnk 3/8-16 X 3/4
14	874 52 06-36	Bolt Hex 3/8-16 X 2-1/4 Gr. 5
16	873 90 06-00	Nut Lock Flg 3/8-16 Unc
17	872 14 05-06	Bolt Rdhd Sht Sqnk 5/16-18Unc X 3/4
18	819 11 12-16	Washer 11/32 x 3/4 x 16
19	873 90 05-00	Nut Lock Hex Flange 5/16-18
20	532 16 96-84	Bracket Horiz Adj Bagger
21	532 18 08-80	Bag Asm CRD
22	532 16 57-81	Bracket Side Bagger CRD
23	532 16 57-82	Tube Upper Bagger CRD
24	532 16 57-83	Tube Pivot Bagger CRD
25	532 18 01-24	Tube Front Bagger CRD
26	532 16 57-85	Tube Lower Bagger CRD
28	532 16 57-87	Grip Handle Black
31	532 12 47-88	Retainer Spring 1" Zinc/Cad
32	532 12 68-75	Rivet Rd Hd Drilled 3/8 Dia
36	819 13 20-16	Washer 13/32 x 1-1/4 x 16 Ga.
37	532 17 54-01	Plug Support Bagger CRD
38	872 01 05-20	Bolt 5/16-18 x 2-1/2
39	532 18 09-85	Seal
41	532 16 96-83	Bracket Vert Adj Bagger CRD
42	873 80 05-00	Nut Lock Hex W/Ins 5/16-18 UNC
43	532 17 40-83	Plug Tubing End

NOTE: All component dimensions given in U.S. inches
1 inch = 25.4 mm

Electrolux Outdoor Products Service Contacts

BELGIQUE/BELGIË

Electrolux Outdoor Products
Tel: 02 363 0311, Fax: 02 363 0391

ČESKÁ REPUBLIKA

Electrolux, spol. S.r.o., oz Electrolux Outdoor Products,
Na Krecku 365 Praha 10 - Horní Mecholupy
Tel: 02/7487 0164, Info-linka: 0800/110 220
Internet: www.partner-flymo.cz E-mail: info@husqvarna.cz

DANMARK

Electrolux Outdoor Products, Flymo/Partner A/S,
Lundtoftegaardsvej 93A, DK 2800 Kgs.Lyngby
Tel: 45 87 75 77, Fax: 45 93 33 08 www.flymo-partner.dk

DEUTSCHLAND

Electrolux Outdoor Products
Tel: 097 21 7640, Fax: 097 21 764202

ESTONIA

Electrolux Estonia Ltd (Electrolux Eesti AS)
Tel: (372) 6650010

FRANCE

Electrolux Outdoor Products
Tel 01 46 67 8141, Fax 01 43 34 2491

FINLAND SUOMI

Electrolux Outdoor Products Finland
Tel: 00 39611, Fax: 00 39 612632

ITALIA

McCulloch Italiana s.r.l. - Via Como 72, 23868 Valmadrera
(LECCO) - ITALIA, Tel: 800 017829, Fax: 0341 581671

IRELAND

Electrolux Outdoor Products
Tel: 01 4565222, Fax: 01 4568551

MAGYARORSZÁG

Electrolux Lehel Kft
Tel: 00 36 1 251 41 47

NORGE

Electrolux Outdoor Products
Tel: 69 10 47 90

NEDERLAND

Electrolux Outdoor Products BV
Tel: 0172-468322, Fax: 0172-468219

ÖSTERREICH

HUSQVARNA Zentralwerkstätte, Industriezeile 36, 4020 LINZ,
Tel: 0732 770101-60, Fax: 0732 795922

POLSKA

Electrolux Poland Sp. z.o.o. Husqvarna, 01-612 Warszawa
Mysłowicka 10/2
Tel:- (22) 8332949

SLOVENIJA

HUSQVARNA-Ges.m.b.H. Nfg. KG, Industriezeile 36, 4020 LINZ,
Tel: 0732 77 01 01-0, Fax: 0732 77 01 01.40
Internet: www.husqvarna.at E-mail: office@husqvarna.co.at

SLOVENSKA

Electrolux Slovakia s.r.o., Borova Sihat 211, 033 01 Lipt. Hradok
Tel: 044 522 14 19, Fax: 044 522 14 18, www.flymo-partner.sk

SCHWEIZ/SUISSE/SUIZZERA

Electrolux Outdoor Products
Tel 062 889 93 50 / 889 94 25, Fax 062 889 93 60 / 889 94 35

SVERIGE

Electrolux Outdoor Products, Sverige
Tel: 036 0 14 67 00, Fax: 036 0 14 60 70

UNITED KINGDOM

Electrolux Outdoor Products, United Kingdom
Tel: 01325 300303, Fax: 01325 310339

